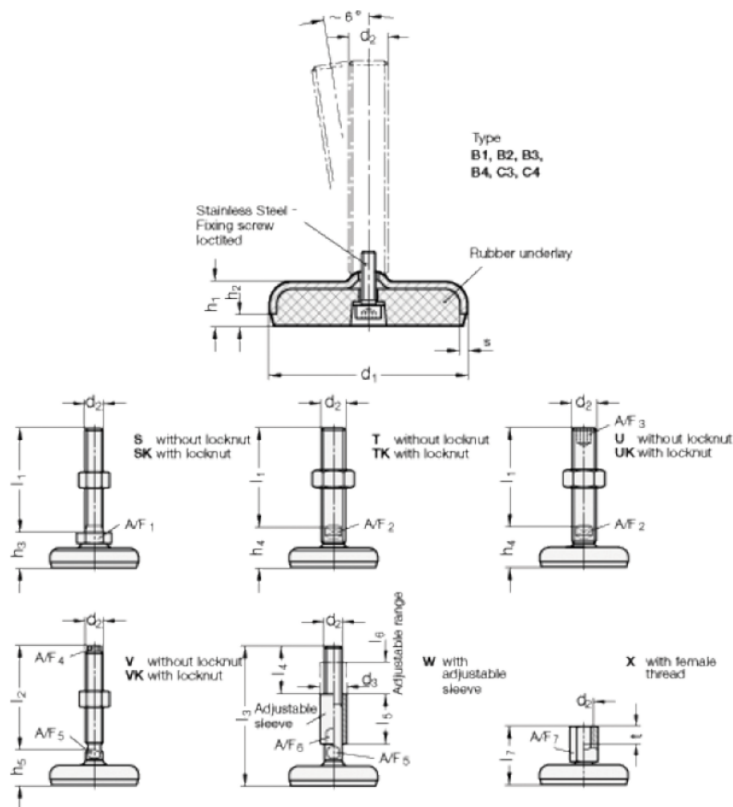


Article number: 2031100M20100C4TK
 Description: E+G levelling foot
 GN 31-100-M20-100-C4-TK
 Note: TK With nut, Wrench flat at the bottom

Measures



A/F2	=	15
d1	=	100
d2	=	20
h1	=	20
h2	=	6
h4 +4.0/0	=	35
l2	=	100
s	=	3